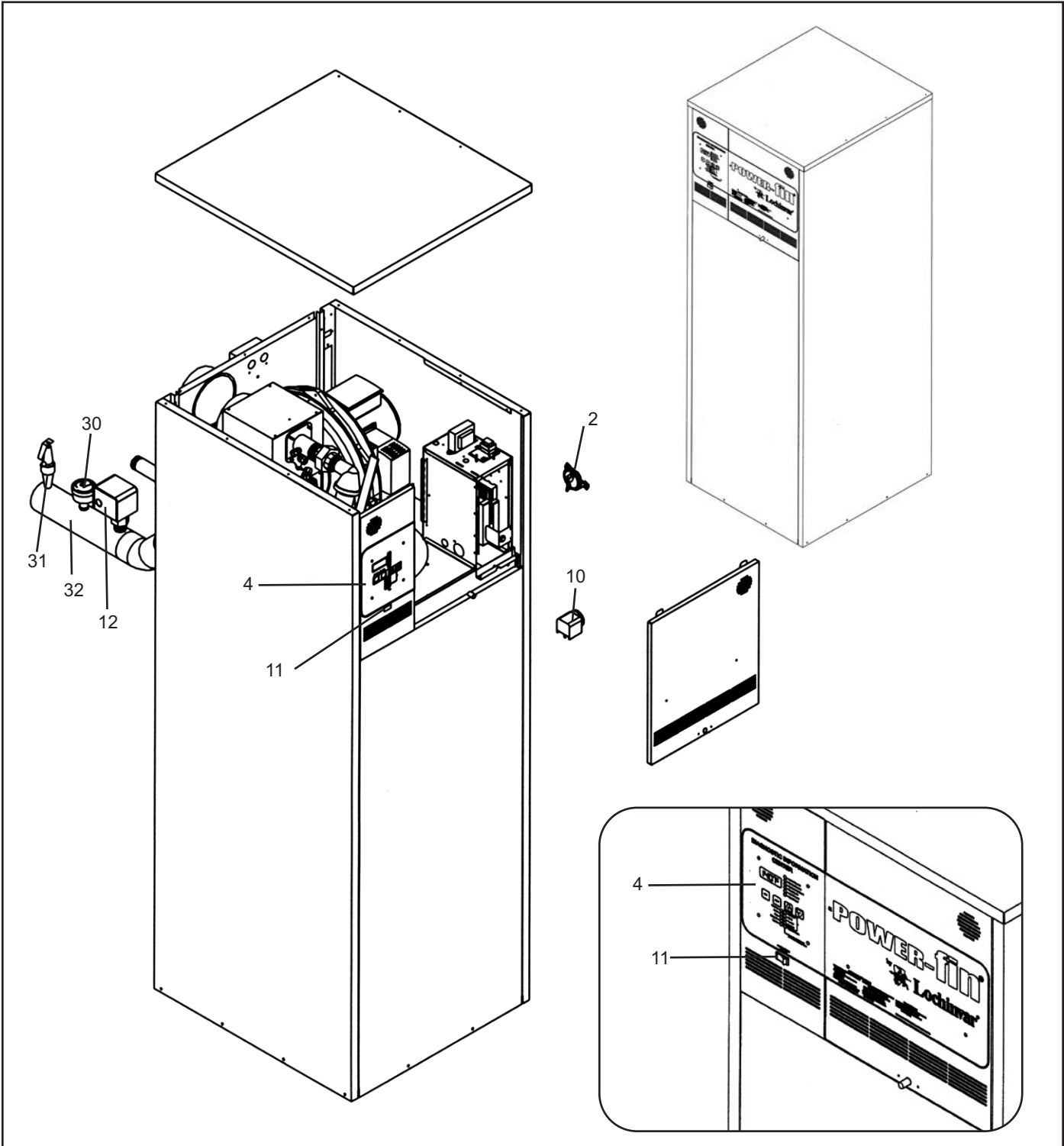




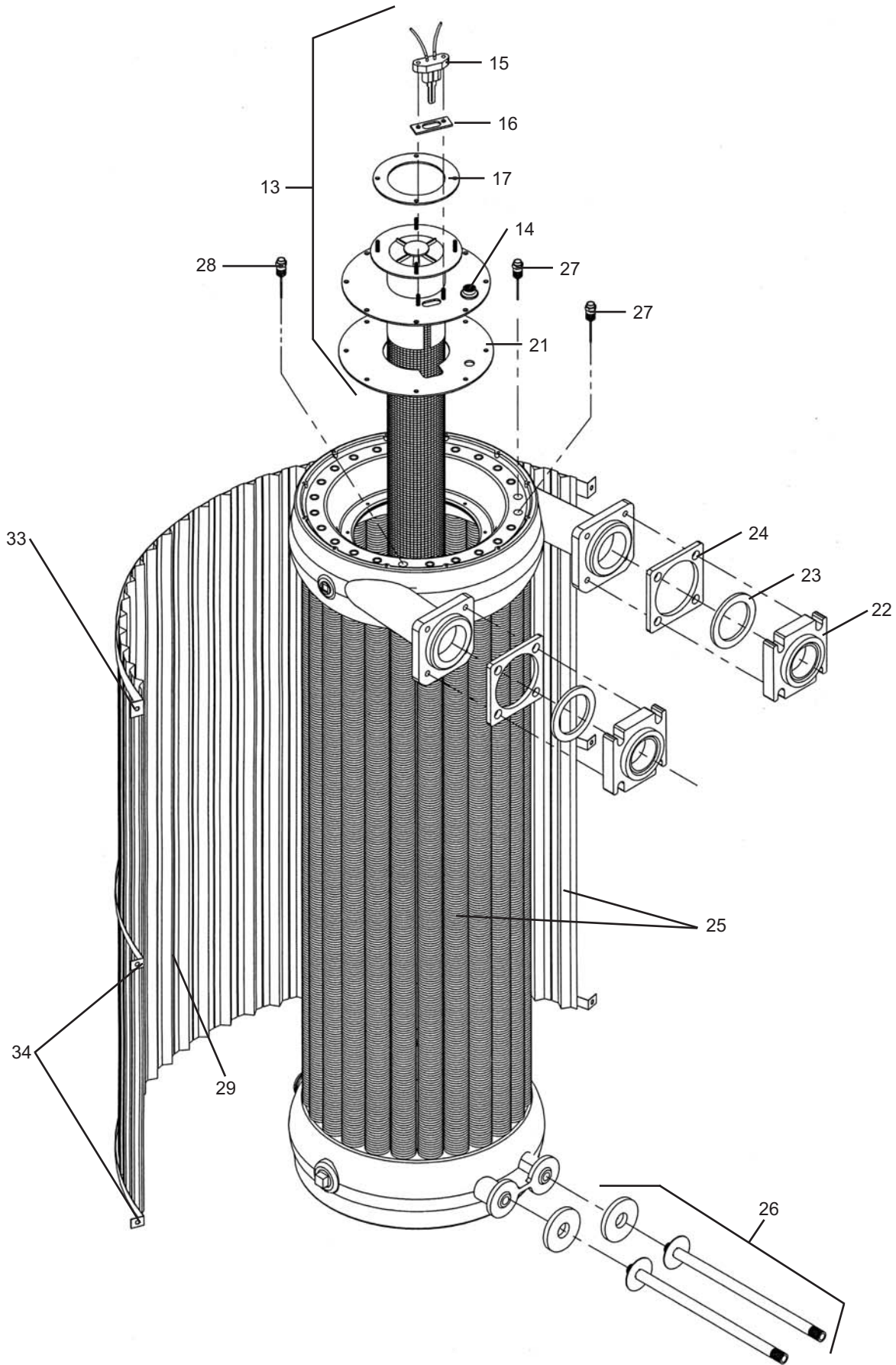
PARTS AND SERVICE DEPARTMENT
 Nashville, Tennessee
 615-889-8900 • Fax: 615-547-1000
 www.Lochinvar.com

Replacement Parts List

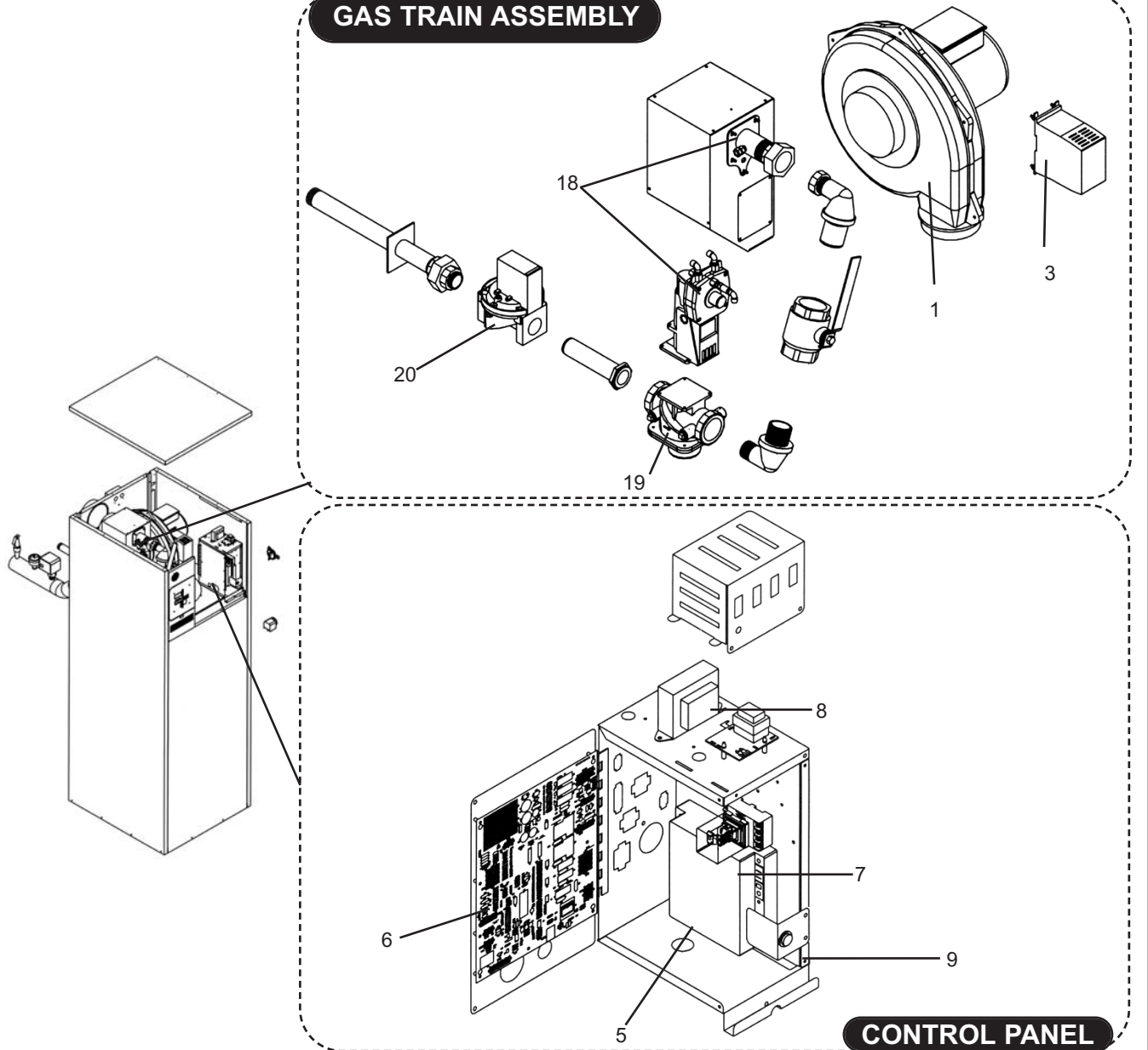
**Power-Fin® 2:1
 Boilers/Water Heaters
 PB/PF 1500, 1700, 2000
 Up to serial #F05H0176841**



HEAT EXCHANGER ASSEMBLY



GAS TRAIN ASSEMBLY



CONTROL PANEL

| ITEM NO. | PART NO. | DESCRIPTION | MODEL NO. |
|-----------------|----------|--|-----------|
| CONTROLS | | | |
| 1 | FAN3009 | FAN REPLACEMENT ASSEMBLY | 1500 |
| 1 | FAN3010 | FAN REPLACEMENT ASSEMBLY | 1700 |
| 1 | FAN3011 | FAN REPLACEMENT ASSEMBLY | 2000 |
| 2 | KIT3002 | SWITCH, PRESSURE | ALL |
| 3 | RLY3021 | MOTOR DRIVE, VARIABLE FREQUENCY (VFD) | ALL |
| 4 | RLY2724 | BOARD, DISPLAY | ALL |
| 5 | RLY2402 | MODULE, IGNITION | ALL |
| 6 | RLY3723 | BOARD, CONTROL | PB |
| 6 | RLY3724 | BOARD, CONTROL | PF |
| 6 | RLY3028 | BOARD, CONTROL, I/O RESET | PB |
| 7 | RLY2706 | RELAY, PUMP | ALL |
| 8 | TRF2005 | TRANSFORMER-75VA (Order by Description) | ALL |
| 8 | TRF2010 | TRANSFORMER-100VA (Order by Description) | ALL |
| 9 | SWT2004 | SWITCH, MANUAL RESET | ALL |
| 10 | HLC2702 | LIMIT, HIGH | ALL |
| 11 | SWT2001 | SWITCH, POWER, ON/OFF | ALL |
| 12 | WTR2040 | SWITCH, FLOW | ALL |

| ITEM NO. | PART NO. | DESCRIPTION | MODEL NO. |
|-----------------------------|------------|---------------------------------------|----------------|
| GAS TRAIN ASSEMBLIES | | | |
| 13 | BNR3419 | MAIN BURNER ASSEMBLY | PF/PB1500 |
| 13 | BNR3420 | MAIN BURNER ASSEMBLY | PF/PB1700 |
| 13 | BNR3421 | MAIN BURNER ASSEMBLY | PF/PB2000 |
| 14 | MSC2731 | SIGHT GLASS, 1/2" | ALL |
| 15 | PLT3400 | IGNITOR, HOT SURFACE | ALL |
| 16 | GKT2012 | GASKET, IGNITER | ALL |
| 17 | GKT2103 | GASKET, BLOWER | ALL |
| 18 | VAL3004 | ACTUATOR KIT | ALL |
| 19 | VAL2710 | VALVE, GAS 1-1/2" | PF/PB1500 |
| 19 | VAL2711 | VALVE, GAS 2" | PF/PB1700-2000 |
| 20 | VAL2044 | VALVE, GAS 1-1/2" | ALL |
| 21 | GKT2102 | GASKET, BURNER | ALL |
| HEAT EXCHANGERS | | | |
| 22 | WTR4708 | FLANGE | ALL |
| 23 | GKT2006 | GASKET, TOP HEADER FLANGE | ALL |
| 24 | GKT2006 | GASKET, FLANGE | ALL |
| 25 | HEX3060 | HEAT EXCHANGER (HLW) | PF1500 |
| 25 | HEX3061 | HEAT EXCHANGER (HLW) | PF1700 |
| 25 | HEX3062 | HEAT EXCHANGER (HLW) | PF2000 |
| 25 | HEX3068 | HEAT EXCHANGER (H) | PB1500 |
| 25 | HEX3069 | HEAT EXCHANGER (H) | PB1700 |
| 25 | HEX3070 | HEAT EXCHANGER (H) | PB2000 |
| 26 | DRV3800 | DRAIN VALVE KIT | ALL |
| MISCELLANEOUS | | | |
| 27 | TST2300 | BULB WELL, EMMEN CONTROL | ALL |
| 28 | TST2306 | BULB WELL, HIGH LIMIT | ALL |
| 29 | JKH2012 | V-BAFFLE, HEAT EXCHANGER (24 REQ.) | PF/PB1500 |
| 29 | JKH2013 | V-BAFFLE, HEAT EXCHANGER (24 REQ.) | PF/PB1700 |
| 29 | JKH2013 | V-BAFFLE, HEAT EXCHANGER (24 REQ.) | PF/PB2000 |
| 30 | GTP2900 | GAUGE, TRI-O-METER 0-75 psi, 70-250°F | ALL |
| 31 | RLV2016 | VALVE, RELIEF T&P 1" 150# | PF |
| 31 | RLV2003 | VALVE, PRESSURE 1" 50# | PB1500-1700 |
| 31 | RLV2001 | VALVE, PRESSURE 3/4" 50# (2 REQ.) | PB2000 |
| 32 | CPR4139 | OUTLET PIPE | ALL |
| 33 | JKH6431 | UPPER V-BAFFLE RETAINER (1 REQ.) | ALL |
| 34 | JKH6828 | LOWER V-BAFFLE RETAINER (2 REQ.) | ALL |
| - | WRE2145 | SENSOR | ALL |
| - | MSC2933 | ALUMINUM TUBING (Order by the foot) | ALL |
| - | TUB8000 | TUBING, EPDM 3/8" (Order by the foot) | ALL |
| - | KIT4000 | CONSTRUCTION FILTER | ALL |
| - | GKT3705 | GASKET KIT | ALL |
| PUMP | | | |
| - | ARM3077PAB | PUMP | PF1500-2000 |
| INSULATION | | | |
| - | FIB2119 | INSULATION, SIDES | PF/PB1500 |
| - | FIB2120 | INSULATION, SIDES | PF/PB1700 |
| - | FIB2121 | INSULATION, SIDES | PF/PB2000 |
| - | FIB2122 | INSULATION, BACK | PF/PB1500 |
| - | FIB2123 | INSULATION, BACK | PF/PB1700 |
| - | FIB2124 | INSULATION, BACK | PF/PB2000 |
| - | FIB2106 | INSULATION, FRONT | PF/PB1500 |
| - | FIB2107 | INSULATION, FRONT | PF/PB1700 |
| - | FIB2108 | INSULATION, FRONT | PF/PB2000 |
| - | FIB2109 | INSULATION, FRONT DOOR | PF/PB1500 |
| - | FIB2110 | INSULATION, FRONT DOOR | PF/PB1700 |
| - | FIB2111 | INSULATION, FRONT DOOR | PF/PB2000 |

PLEASE HAVE MODEL NUMBER AND SERIAL NUMBER AVAILABLE WHEN ORDERING PARTS